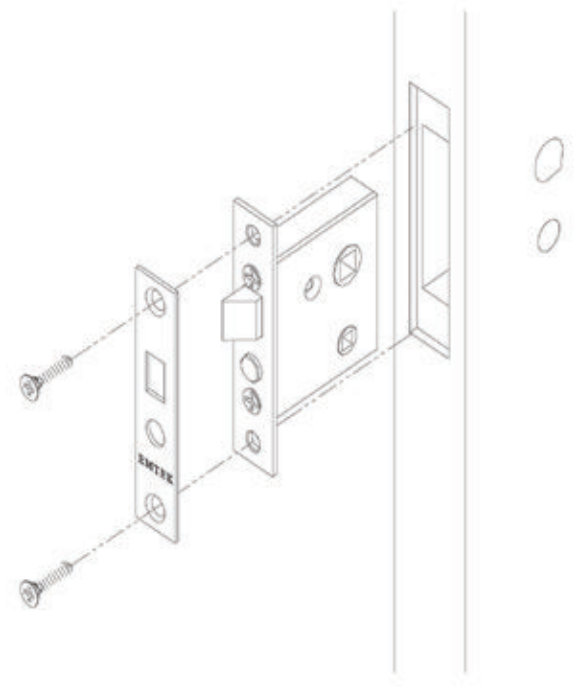
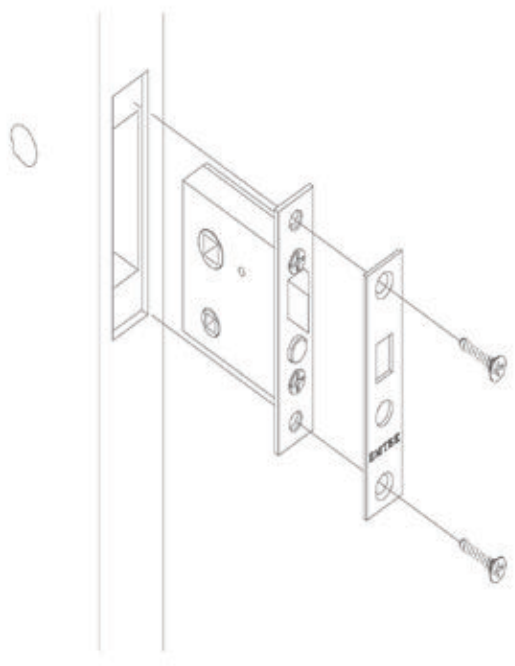


Screen Door Mortise Lock Installation Guide

Outside

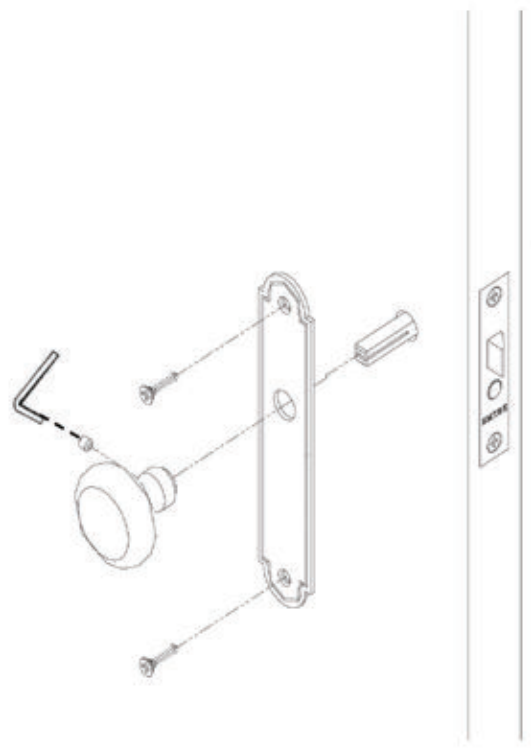
See template for door prep specifications

Inside

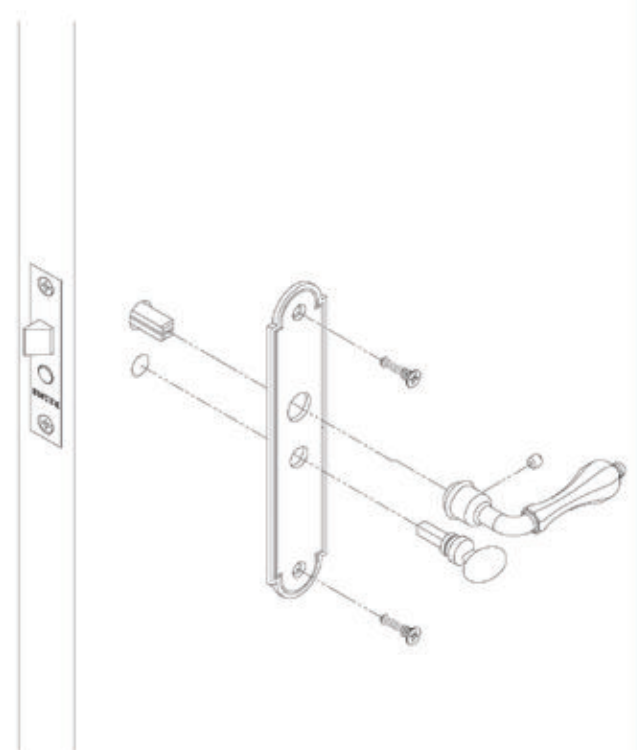


Outside Trim

Inside Trim

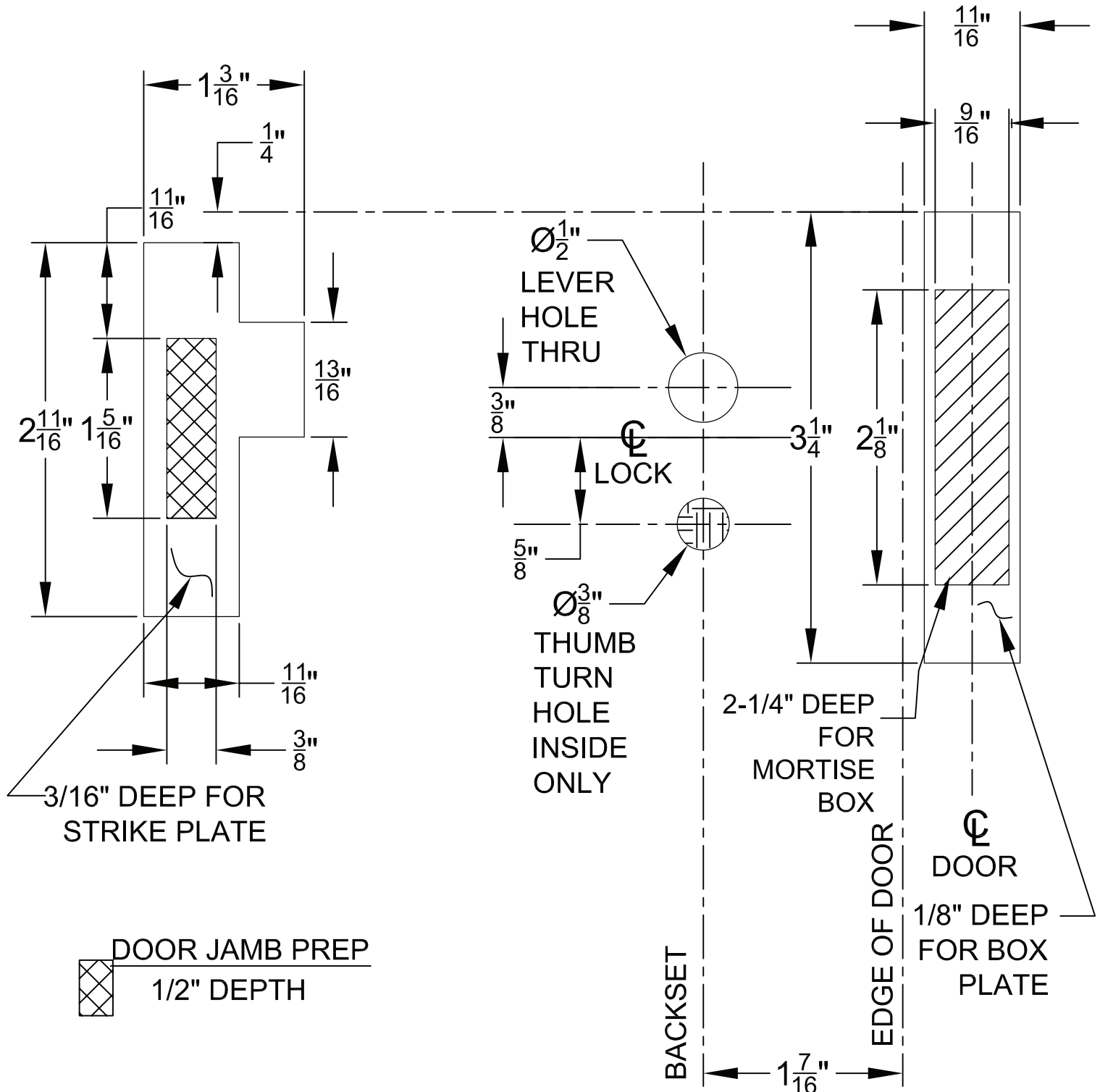


Secure knob & Lever to spindle stem with Allen Wrench (provided)



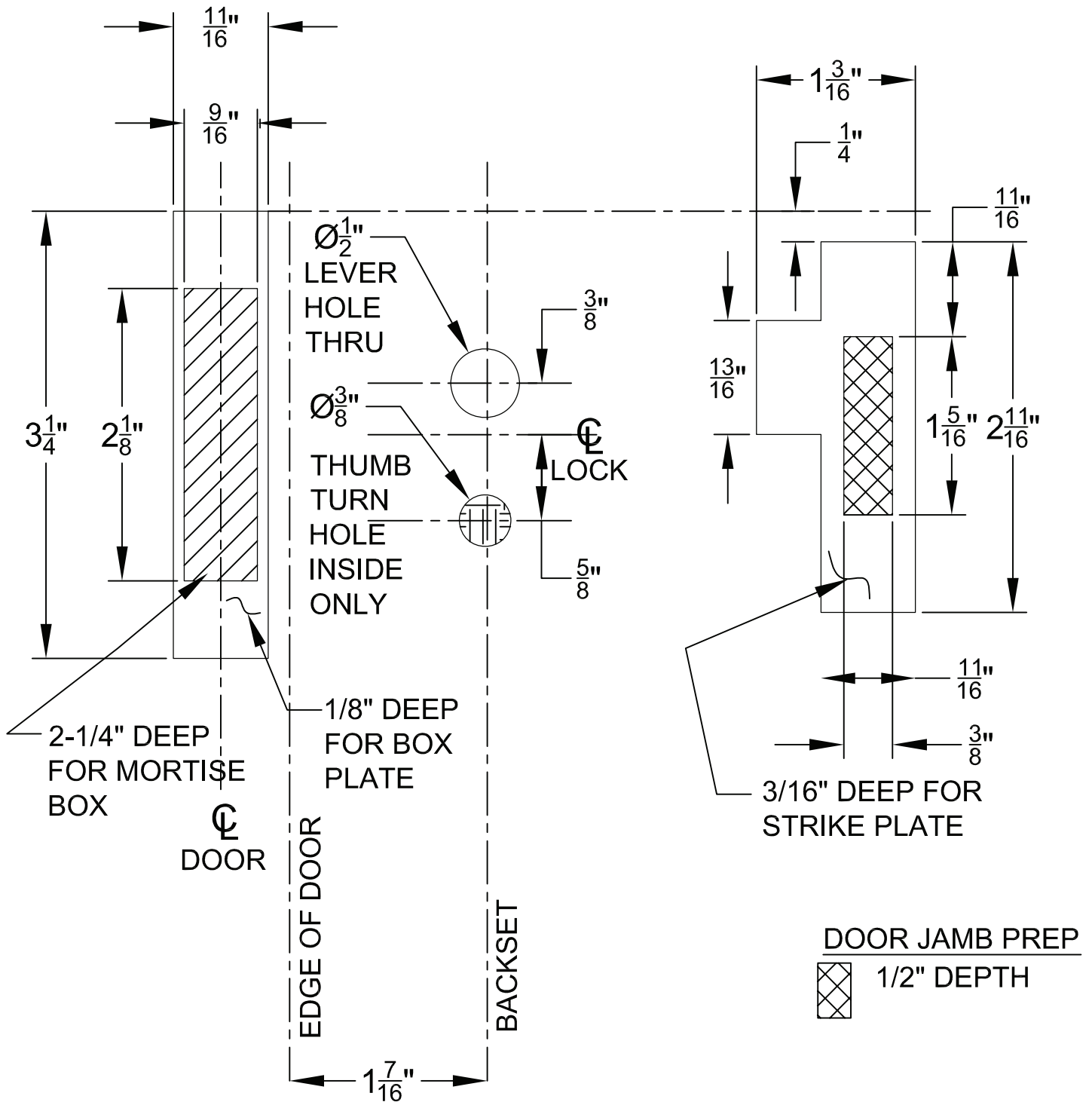
Plates and grips vary depending on style.

ACTIVE SCREEN DOOR MORTISE LOCK HOLE PREPARATION (LEFT HAND)*



NOTE:
THIS TEMPLATE IS DESIGNED FOR USE ON 1" THICK DOOR.

ACTIVE SCREEN DOOR MORTISE LOCK HOLE PREPARATION (RIGHT HAND)*



NOTE:
THIS TEMPLATE IS DESIGNED FOR USE ON 1" THICK DOOR.

IN4-SCREENDOOR-R 05-09-08