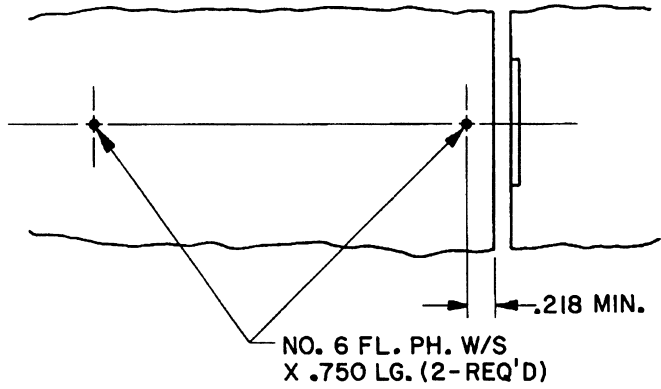
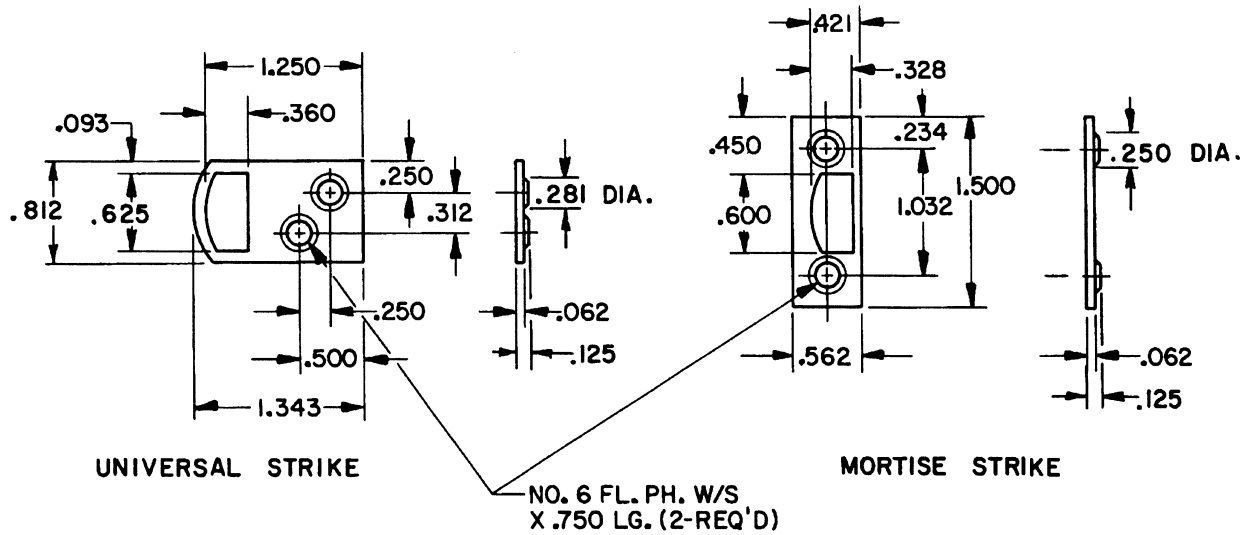
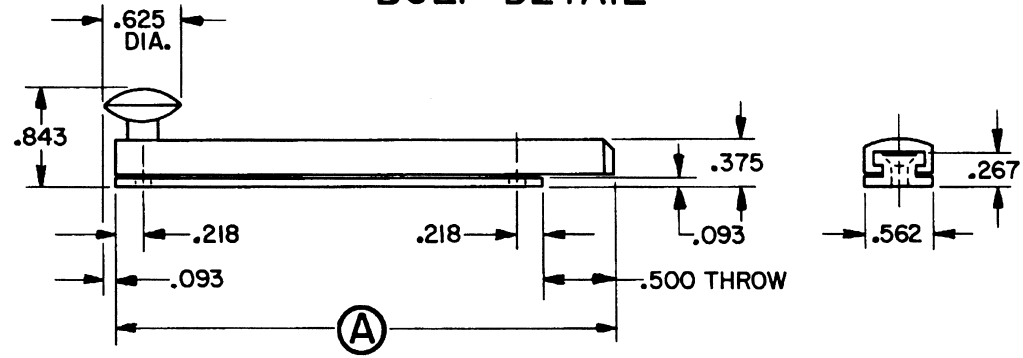


# DOOR AND JAMB DETAIL



# BOLT DETAIL



PART NO.	0321		
DIMENSION (A)	3.00		
<b>BALDWIN</b>			
<b>SURFACE BOLTS</b>			
TEMPLATE NO. VARIATIONS		TEMPLATE NO.	
		<b>A134</b>	

EFFECTIVE: 9-1-86 R.M.S.

DO NOT SCALE DRAWING

©1986 by Baldwin Hardware Corporation