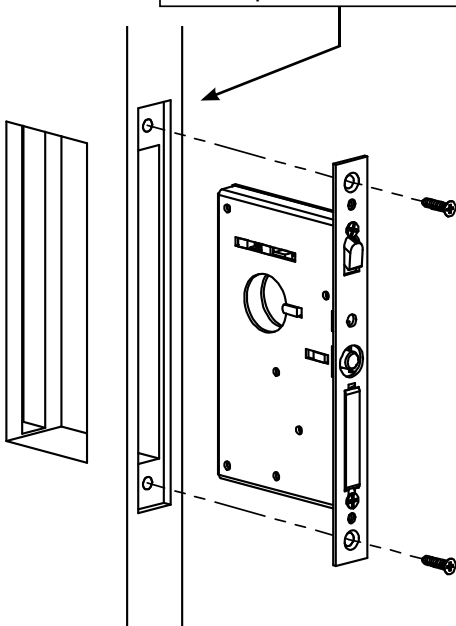


1. Install Lock Body

Outside

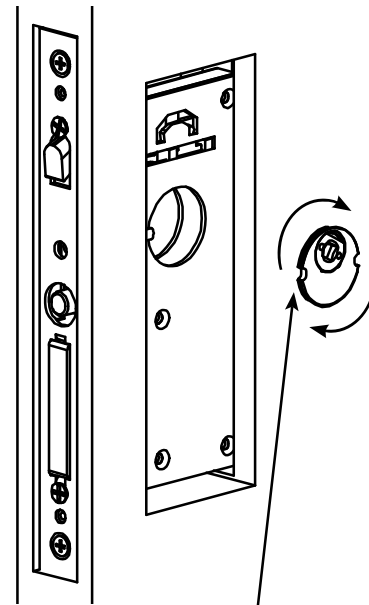
Drill two 1/8" pilot holes,  
7-1/8" apart on center



See template for door prep specifications

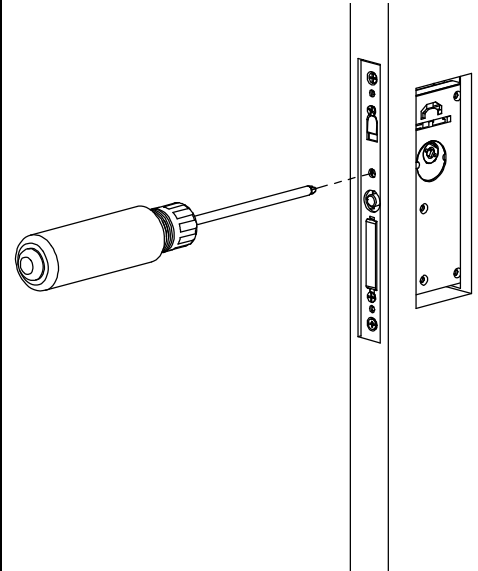
2. Install Drive Bar Cylinder

Inside



Note: Notch on cylinder must be in the 9 o'clock position when fully screwed into lock body.

3. Tighten Drive Bar Cylinder



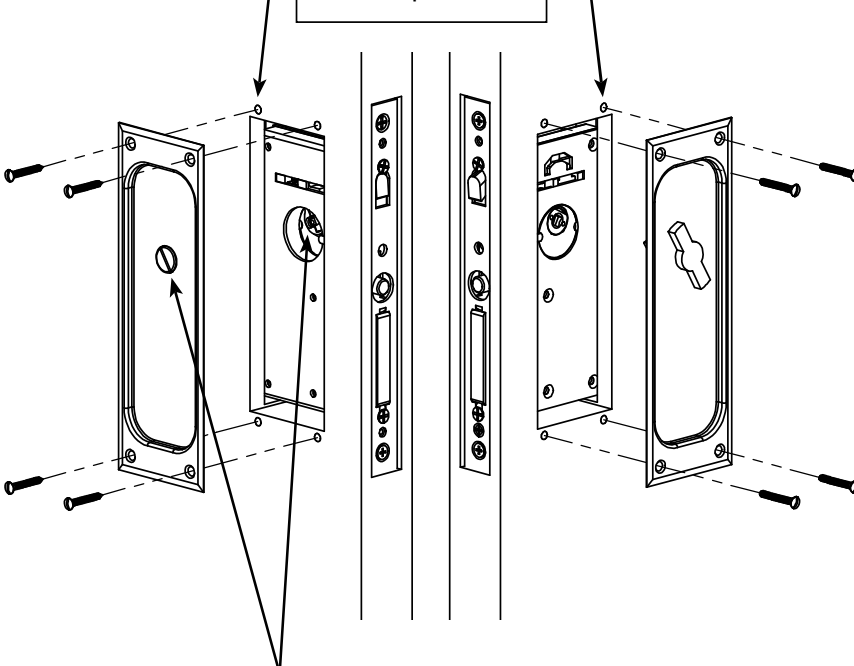
Tighten locking screw to engage notch on cylinder

4. Mount Inside and Outside Covers

Outside

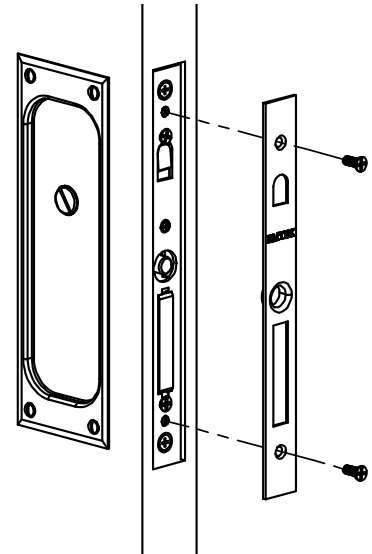
Inside

Drill 1/8" pilot holes

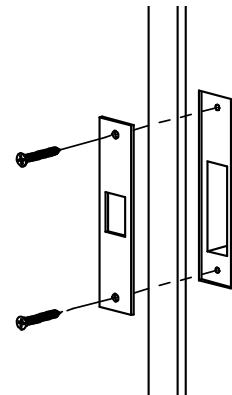


Align Passage/Privacy Button with Thumb-Turn spindle and secure trim plates to door.

5. Install Trim Plate

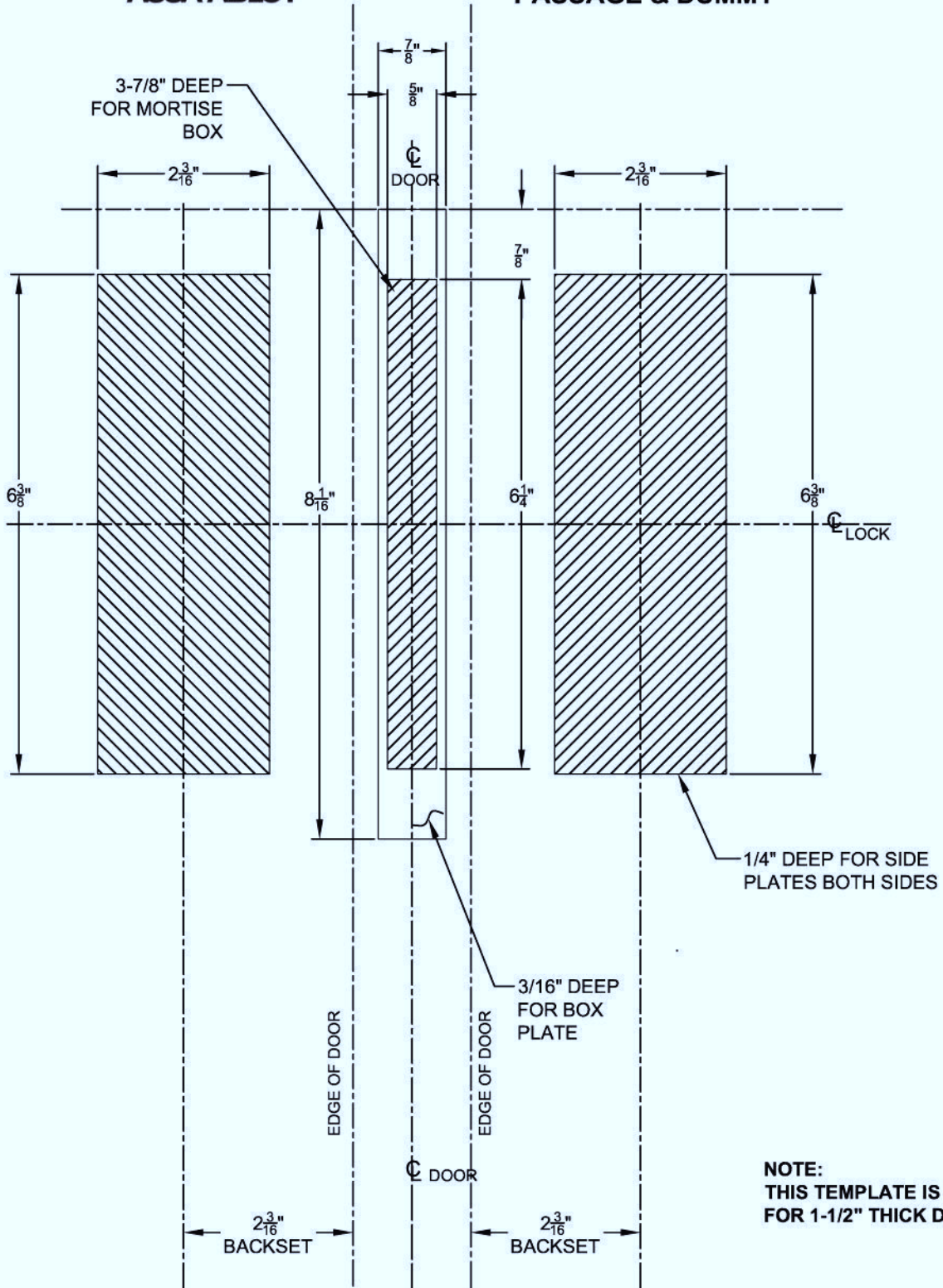


Install Door Jamb



See template for door jamb prep specifications

**POCKET DOOR MORTISE  
HOLE PREPARATION  
PASSAGE & DUMMY**



\* NOTE: 8-1/2" X 11" COPY OF THIS  
TEMPLATE NOT TO SCALE.

# POCKET DOOR MORTISE

