



Wolfe's Baldwin Brass Center

Family Owned and Operated Since 1984
Serving Internet Customers Since 1997

101 East King Street
Malvern, Pa. 19355
1-800-440-3225
Local: 610-408-8533
Fax: 610-640-3785
sales@wolfebrass.com

Mortise Locks Door Measuring Guide

Please provide the following information about your door when considering a mortise lock. The information will determine which lock/trim combinations will work on your door.

Thickness of door: _____

Width of stile: _____

Hand of door: _____

If pre-drilled holes exist in your door, please provide the following information:

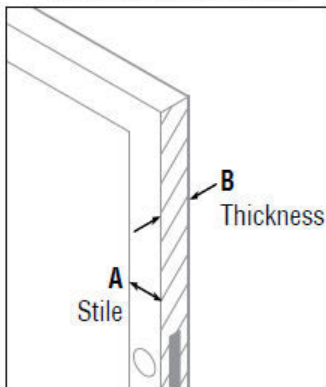
Number of holes: _____

Diameter of holes: _____

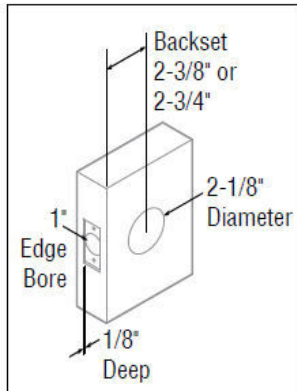
Backset of existing holes: _____

Center to center distance between holes: _____

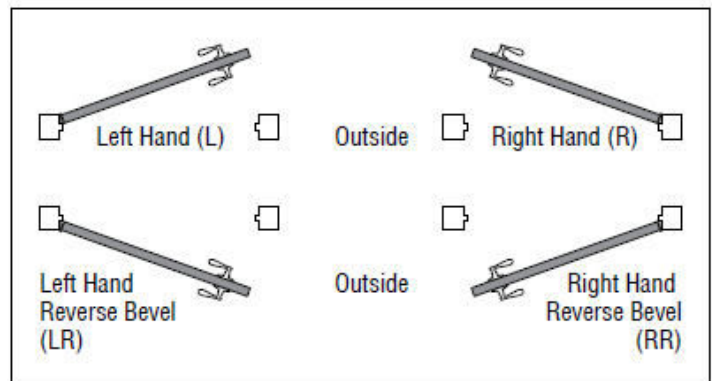
DOOR THICKNESS & STILE



DOOR BACKSET



DOOR HANDING



Door Handing Guidelines:

HAND OF DOOR IS ALWAYS DETERMINED FROM OUTSIDE

- The outside of the door is the street or entrance side
- The outside of a room is the hall side
- The outside of a single communicating door is the side from which the hinges are not visible when the door is closed
- The outside of a closet door is the room or hall side