



# WOLFE'S Baldwin Brass Center

*Family Owned and Operated Since 1984  
Serving Internet Customers Since 1997*

101 East King Street  
Malvern, Pa. 19355  
1-800-440-3225  
Local: 610-408-8533  
Fax: 610-640-3785  
sales@wolfebrass.com

**BALDWIN** | *Make a Statement.*

The following information is directly from Baldwin's catalog. Pricing shown is suggested retail. Please email or fax a quote request for our prices.

Email: sales@wolfebrass.com

Fax: 610-640-3785

We have Baldwin Hardware products displayed in our showroom at  
101 East King Street, Malvern, PA 19355

**www.wolfebrass.com**

BALDWIN® | *Make a Statement.*



MULTI-POINT  
TRIM

TECHNICAL SPECIFICATIONS  
AND PRICE LIST

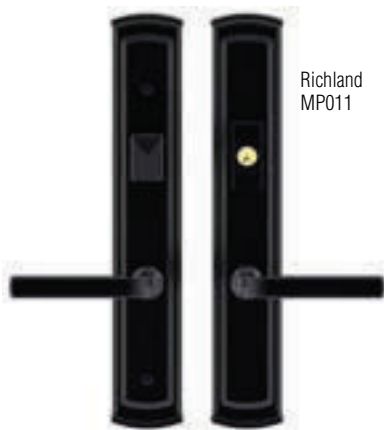
APRIL 2009

# MULTI-POINT – HOW TO ORDER

TWO NEW STYLES!



Bristol  
MP009



Richland  
MP011



Lakeshore – MP013



Springfield – MP001



Bismark – MP002



Boulder – MP016



Cody – MP015



Concord – MP004



Kensington – MP003



**NEW!** Watch for this icon as your quick guide to coordinating Baldwin lock hardware throughout your home. Your favorite Baldwin styles are now available in Mortise for entrance needs, Tubular for entrance/interiors, AND Multi-Point for patio doors!

*Introducing Baldwin Multi-Point door trim. Now available in configurations to fit all major multi-point door and lock manufacturers!*

## PROFILE CYLINDERS

RECOMMENDED FINISHES	ORIGINAL FINISHES
040	003, 030, 031, 033, 034, 060, 040, 050, 038
112	412, 102, 190, 402, 112
264	055, 056, 150, 151, 260, 264, 452

## AMERICAN CYLINDERS

RECOMMENDED FINISHES	ORIGINAL FINISHES
040	003, 030, 031, 033, 034, 038, 040, 050, 060, 102, 112, 190, 402, 412,
264	055, 056, 150, 151, 260, 264, 452

- > Fits 92 and 105 mm cylinder to lever C.T.C.
- > Estate Collection finish options to suit any home.
- > Profile or American Cylinder.
- > Available as complete sets, minus lever sets, or choose your own lever style to build a set.
- > Easy installation with one-box shipping and cylinder/hardware for 1.75" thick door.
- > Through-bolt mounting.
- > Thick door kits available.
- > All Profile and American cylinders are field keyable to Baldwin keyway.
- > 112 finish now available for all Profile cylinders

BALDWIN

# HOW TO ORDER

## 1. Pick Your Multi-Point Trim (left):

- MP001 - Springfield Multi-Point Trim
- MP002 - Bismark Multi-Point Trim
- MP003 - Kensington Multi-Point Trim
- MP004 - Concord Multi-Point Trim
- MP009 - Bristol Multi-Point Trim
- MP011 - Richland Multi-Point Trim
- MP013 - Lakeshore Multi-Point Trim
- MP015 - Cody Multi-Point Trim
- MP016 - Boulder Multi-Point Trim

## 2. Specify Required Door Configuration:

	PAGES
Configuration #1 - Profile Cylinder Below Handle 92mm CTC, 8.5" Mounting Hole CTC	178
Configuration #2 - American Cylinder Above Handle 105mm CTC, 8.5" Mounting Hole CTC	180
Configuration #3 - American Cylinder Below Handle 92mm CTC, 8.375" Mounting Hole CTC	182
Configuration #4 - Profile Cylinder Below Handle 92mm CTC, 7.875" Mounting Hole CTC	184
Configuration #5 - American Cylinder Above or Below Handle 92mm CTC, 7.5625" Mounting Hole CTC	186
Configuration #6 - American Cylinder Above Handle 92mm CTC, 7.25 Mounting Hole CTC	188

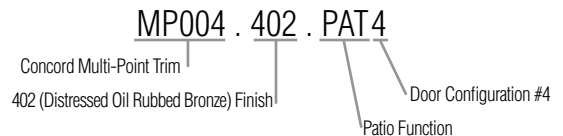
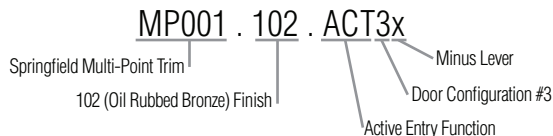
## 3. Pick Your Function:

- ACT - Entry, keyed w/ turnknob (supplied w/ cylinder for 1 3/4" door thickness)
- FDP - Passage, active, no cylinder or turnknob
- AIN - Inactive outside and active inside- non-keyed
- FD - Inactive, non-keyed
- PAT - Patio, non-keyed

## 4. Specify minus lever option, if desired:

Add "x" to suffix for minus lever option. Otherwise trim ships with stock lever choice as shown.

### Examples:



## 5. If a lever other than the standard is desired:

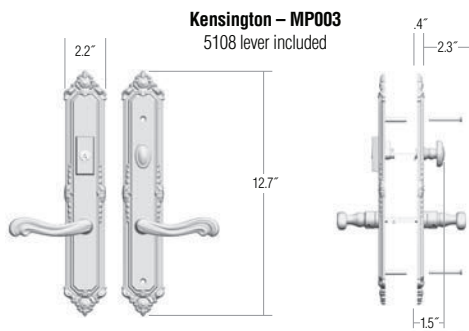
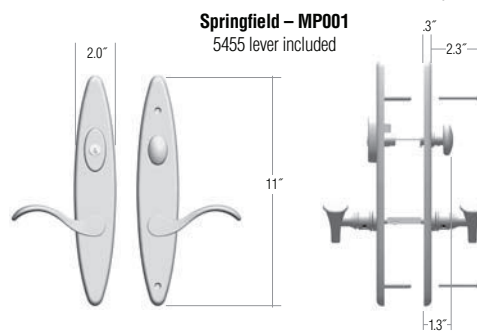
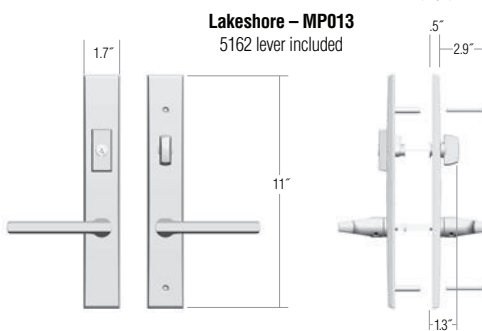
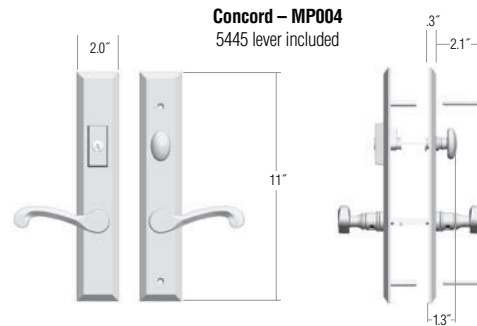
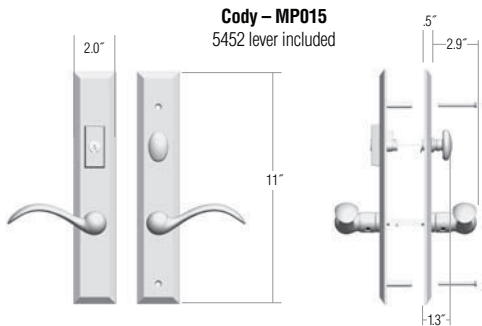
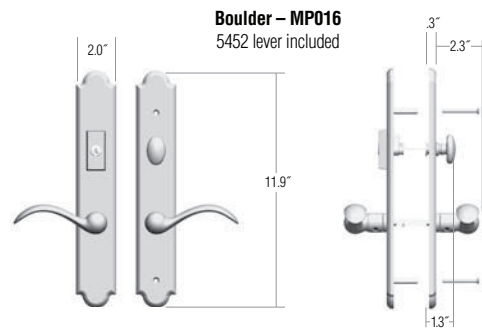
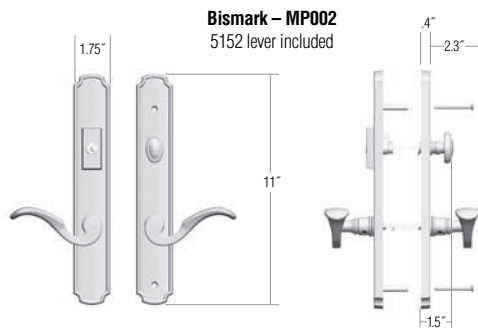
Order a trim without levers and order levers separately.

## 6. If split finish, order escutcheons, levers, and corresponding thick door kits separately

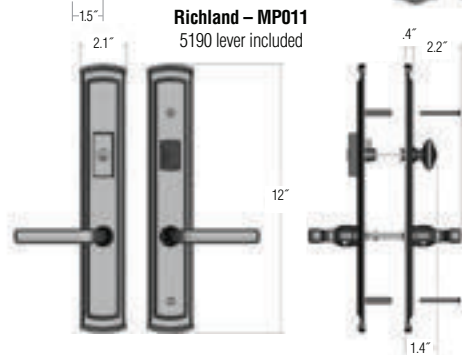
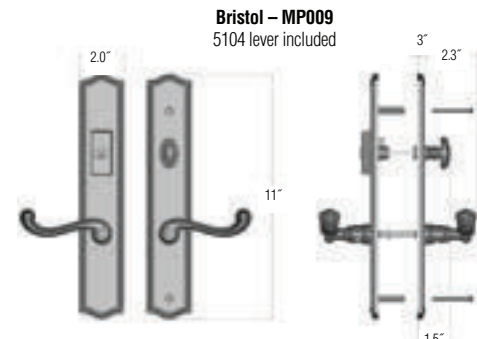
# Pick your multi-point trim

Dimensional Drawings  
American Cylinder Above Handle shown

## Tier 1



## Tier 2



# Choose your Door Configuration

Go To:

- |    |                                                                                                                                                                                                                                                                                                                                                        |          |
|----|--------------------------------------------------------------------------------------------------------------------------------------------------------------------------------------------------------------------------------------------------------------------------------------------------------------------------------------------------------|----------|
| #1 | Profile Cylinder Below Handle — 3-5/8" (92 mm) center to center<br>8-1/2" center to center mounting hole location                                                                                                                                                                                                                                      | Page 178 |
|    | G-U, <sup>®</sup> Hoppe, <sup>®</sup> Hurd, <sup>®</sup> JELD-WEN, <sup>®</sup> Kolbe & Kolbe, <sup>®</sup> Lincoln, <sup>®</sup> Loewen, <sup>®</sup> Norco, <sup>®</sup> Peachtree, <sup>®</sup> Pozzi, <sup>®</sup> Semco, <sup>®</sup> Vetter, <sup>®</sup> Weathershield, <sup>®</sup> Therma-Tru <sup>®</sup>                                    |          |
| #2 | American Cylinder Above Handle — 4-1/8" (105 mm) center to center<br>8-1/2" center to center mounting hole location                                                                                                                                                                                                                                    | Page 180 |
| #3 | American Cylinder Below Handle — 3-5/8" (92 mm) center to center<br>8-3/8" center to center mounting hole location<br><br>Pella <sup>®</sup>                                                                                                                                                                                                           | Page 182 |
| #4 | Profile Cylinder Below Handle — 3-5/8" (92 mm) center to center<br>7-7/8" center to center mounting hole location                                                                                                                                                                                                                                      | Page 184 |
|    | Caradco, <sup>®</sup> G-U, <sup>®</sup> Hoppe, <sup>®</sup> Hurd, <sup>®</sup> Eagle, <sup>®</sup> Kolbe & Kolbe, <sup>®</sup> Lincoln, <sup>®</sup> Loewen, <sup>®</sup> Norco, <sup>®</sup> Peachtree, <sup>®</sup> Pozzi, <sup>®</sup> Semco, <sup>®</sup> Sierra Pacific, <sup>®</sup> Vetter, <sup>®</sup> Weathershield, <sup>®</sup> and others |          |
| #5 | American Cylinder Above or Below Handle — 3-5/8" (92 mm) center to center<br>7-9/16" center to center mounting hole location<br><br>G-U, <sup>®</sup> Eagle, <sup>®</sup> BiltBest, <sup>®</sup> Marvin Integrity, <sup>®</sup> Pella <sup>®</sup><br>Sierra Pacific, <sup>®</sup> Superior, <sup>®</sup> Willmar <sup>®</sup>                         | Page 186 |
| #6 | American Cylinder Above Handle — 3-5/8" (92 mm) center to center<br>7-1/4" center to center mounting hole location<br><br>Ashland, <sup>®</sup> Caradco, <sup>®</sup> Milgard, <sup>®</sup> Marvin, <sup>®</sup> Peachtree, <sup>®</sup> Weathershield <sup>®</sup>                                                                                    | Page 188 |

Baldwin, Baldwin Estate collection and other names of Baldwin products referenced herein are trademarks or registered trademarks of Baldwin Hardware Corporation. All other company names mentioned herein are the trademarks or registered trademarks of their respective owners.

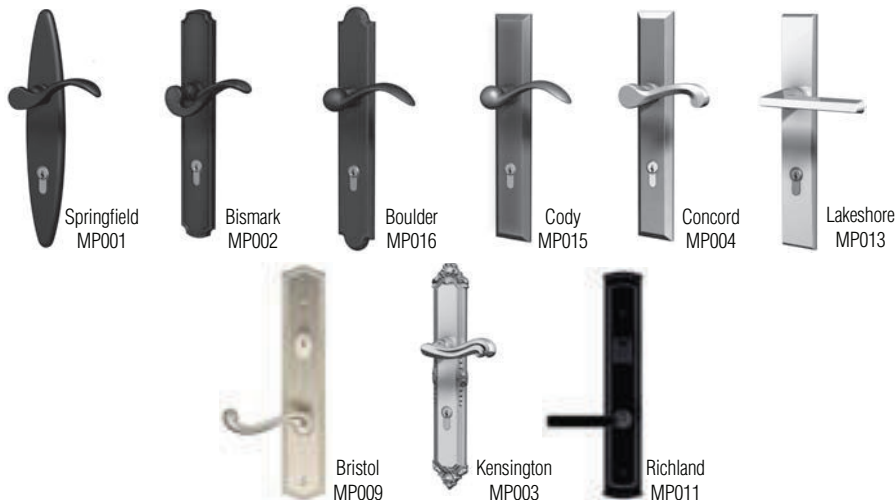
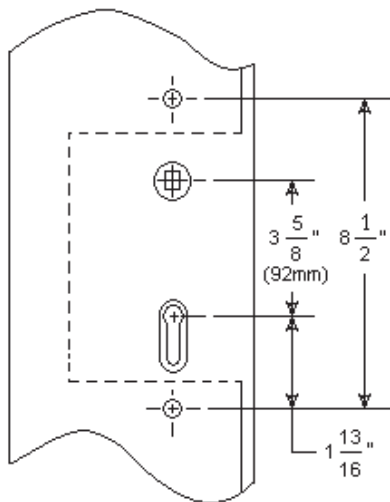
# Choose function

Swinging Patio Door Hardware -  
Set includes Plates, Handles and Cylinders (where applicable)

#1

Profile Cylinder Below Handle — 3-5/8" (92 mm) center to center  
8-1/2" center to center mounting hole location

G-U,<sup>®</sup> Hoppe,<sup>®</sup> Hurd,<sup>®</sup> JELD-WEN,<sup>®</sup> Kolbe & Kolbe,<sup>®</sup> Lincoln,<sup>®</sup> Loewen,<sup>®</sup> Norco,<sup>®</sup>  
Peachtree,<sup>®</sup> Pozzi,<sup>®</sup> Semco,<sup>®</sup> Vetter,<sup>®</sup> Weathershield,<sup>®</sup> Therma-Tru<sup>®</sup>



**Bismark, Boulder, Cody,  
Concord, Lakeshore, Springfield**

030, 031, 033
034, 038, 040
050, 060, 102
112, 150, 151
190, 260, 264

003, 055
056, 402
412, 452

**WITHOUT LEVERS**

030, 031, 033	003, 055
034, 038, 040	056, 402
050, 060, 102	412, 452
112, 150, 151	412, 452
190, 260, 264	

030, 031, 033	003, 055
034, 038, 040	056, 402
050, 060, 102	412, 452
112, 150, 151	412, 452
190, 260, 264	

**Entrance Profile Cylinder Multi-point**

ACT1	Entry - Keyed W/ Turnknob	\$495	564
------	---------------------------	-------	-----

**Passage Multi-point**

FDP1	Passage - Active No Cylinder Or Turnknob	413	469
------	------------------------------------------	-----	-----

**Half Inactive / Half Passage Multi-point**

AIN1	Inactive Outside And Active Inside - Non-keyed	413	469
------	------------------------------------------------	-----	-----

**Full Inactive Multi-point**

FD1	Inactive - Non-keyed	413	469
-----	----------------------	-----	-----

**Patio Multi-point**

PAT1	Patio - Non-keyed	413	469
------	-------------------	-----	-----

366	417
284	323
284	323
284	323
284	323
284	323

**Multi-point, Escutcheons ONLY**

KN11	KN, Cut for Knob Inside	\$170	194
KN1R1	KN, Cut for Knob Inside - Rigid Lever	170	194
KN01	KN, Cut for Knob Outside	170	194
KN0R1	KN, Cut for Knob Outside - Rigid Lever	170	194
KC1	KC, Cut for Cylinder Outside - Pro C1	192	218
KCT1	KC, Cut for Cylinder Inside - Pro C1	192	218

**Kensington, Bristol, Richland**

030, 031, 033
034, 038, 040
050, 060, 102
112, 150, 151
190, 260, 264

003, 055
056, 402
412, 452

**WITHOUT LEVERS**

030, 031, 033	003, 055
034, 038, 040	056, 402
050, 060, 102	412, 452
112, 150, 151	412, 452
190, 260, 264	

030, 031, 033	003, 055
034, 038, 040	056, 402
050, 060, 102	412, 452
112, 150, 151	412, 452
190, 260, 264	

**Entrance Profile Cylinder Multi-point**

ACT1	Entry - Keyed W/ Turnknob	\$547	622
------	---------------------------	-------	-----

**Passage Multi-point**

FDP1	Passage - Active No Cylinder Or Turnknob	444	505
------	------------------------------------------	-----	-----

**Half Inactive / Half Passage Multi-point**

AIN1	Inactive Outside And Active Inside - Non-keyed	444	505
------	------------------------------------------------	-----	-----

**Full Inactive Multi-point**

FD1	Inactive - Non-keyed	444	505
-----	----------------------	-----	-----

**Patio Multi-point**

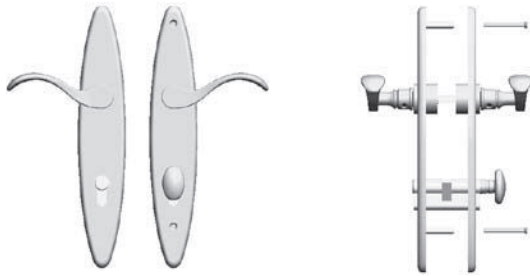
PAT1	Patio - Non-keyed	444	505
------	-------------------	-----	-----

418	476
314	358
314	358
314	358
314	358
314	358

**Multi-point, Escutcheons ONLY**

KN11	KN, Cut for Knob Inside	\$196	223
KN1R1	KN, Cut for Knob Inside - Rigid Lever	196	223
KN01	KN, Cut for Knob Outside	196	223
KN0R1	KN, Cut for Knob Outside - Rigid Lever	196	223
KC1	KC, Cut for Cylinder Outside - Pro C1	221	251
KCT1	KC, Cut for Cylinder Inside - Pro C1	221	251

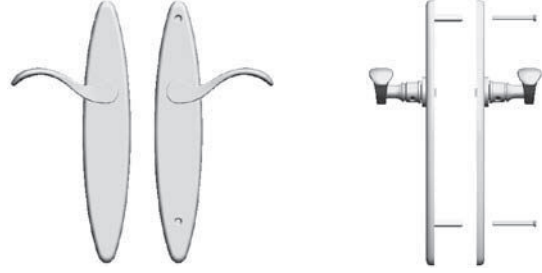
**ACT1 – Entrance Profile Cylinder**



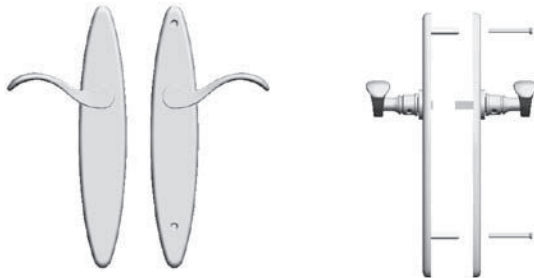
**FDP1 – Passage**



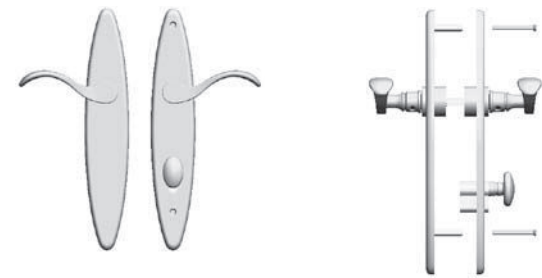
**FD1 – Full Inactive**



**AIN1 – Half Inactive/Half Passage**



**PAT1 – Patio**



**Thick Door Kits**

Baldwin Multi-Point Active & Patio trims assume 1.75" door thickness. For thicker doors, please order a Thick Door kit according to the chart below. Specify cylinder finish where noted. Available cylinder finishes include ONLY 264 (Satin Chrome), 040 (Satin Brass) and 112 (Venetian Bronze). See finish chart on page 176 for cylinder finish recommendations.

	1 3/4"	2"	2 1/4"	2 3/8"	2 1/2"	2 3/4"	List Price
<b>ACT1</b>							
All others	MP000.xxx.ACTD	MP000.xxx.ACTD	MP000.xxx.ACTE	MP000.xxx.ACTF	MP000.xxx.ACTG	MP000.xxx.ACTG	\$106
Bismark, Kensington, Lakeshore	MP000.xxx.ACTD	MP000.xxx.ACTE	MP000.xxx.ACTE	MP000.xxx.ACTF	MP000.xxx.ACTG	MP000.xxx.ACTI	\$106
<b>PAT1</b>							
All others	MP000.xxx.PATJ	MP000.xxx.PATJ	MP000.xxx.PATK	MP000.xxx.PATL	MP000.xxx.PATM	MP000.xxx.PATM	\$106
Bismark, Kensington, Lakeshore	MP000.xxx.PATJ	MP000.xxx.PATK	MP000.xxx.PATK	MP000.xxx.PATL	MP000.xxx.PATM	MP000.xxx.PATO	\$106
<b>AIN Sets</b>	<b>1 3/4" to 2 1/4"</b>			<b>2 3/8" to 2 3/4"</b>			
	MP000.000.AINS			MP000.000.AINT			\$21
<b>FD Sets</b>	<b>1 3/4" to 2 1/4"</b>			<b>2 3/8" to 2 3/4"</b>			
	MP000.000.FDPTP			MP000.000.FDPTQ			\$21
<b>FDP Sets</b>	<b>1 3/4" to 2 1/4"</b>			<b>2 3/8" to 2 3/4"</b>			
	MP000.000.FDPTP			MP000.000.FDPTQ			\$21

**Included w/ standard sets**

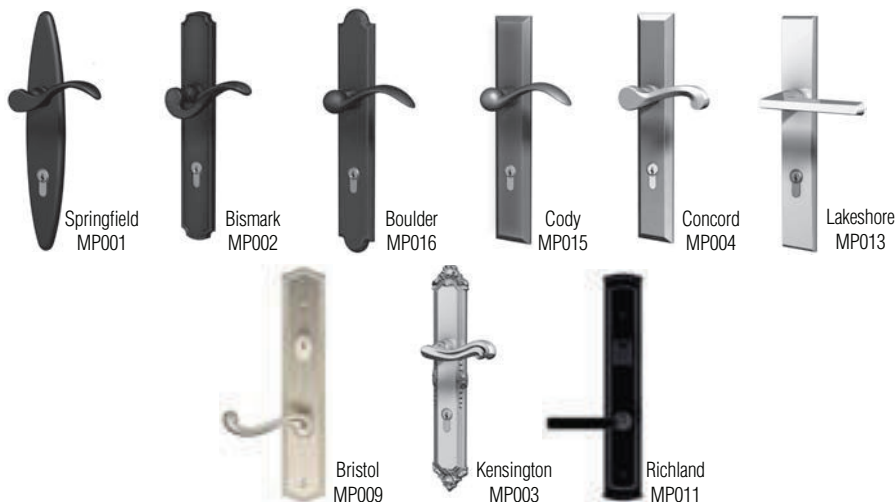
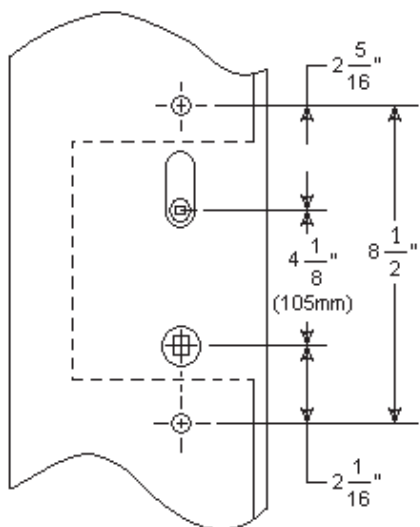
ACT kits include: 8mm to 7.3mm Conversion Spindle, Keyed Cylinder, and Cylinder Installation Hardware  
 PAT kits include: 8mm to 7.3mm Conversion Spindle, Patio Cylinder, and Cylinder Installation Hardware  
 AIN kits include: Half spindle, and Spindle Installation Hardware  
 FDPTP kits include: 8mm to 7.3mm Conversion Spindle

# Choose function

Swinging Patio Door Hardware -  
Set includes Plates, Handles and Cylinders (where applicable)

#2

American Cylinder Above Handle — 4-1/8" (105 mm) center to center  
8-1/2" center to center mounting hole location



**Bismark, Boulder, Cody,  
Concord, Lakeshore, Springfield**

030, 031, 033
034, 038, 040
050, 060, 102
112, 150, 151
190, 260, 264

003, 055
056, 402
412, 452

**WITHOUT LEVERS**

030, 031, 033	003, 055
034, 038, 040	056, 402
050, 060, 102	412, 452
112, 150, 151	412, 452
190, 260, 264	

030, 031, 033	003, 055
034, 038, 040	056, 402
050, 060, 102	412, 452
112, 150, 151	412, 452
190, 260, 264	

**Entrance American Cylinder Multi-point**

ACT2	Entry - Keyed W/ Turnknob	\$516	587
<b>105 MM Double Door</b>			
FWHAP	Double Door Entry - 1 Keyed, 1 Inactive	928	1056
<b>Passage Multi-point</b>			
FDP2	Passage - Active No Cylinder Or Turnknob	413	469
<b>Half Inactive / Half Passage Multi-point</b>			
AIN2	Inactive Outside And Active Inside - Non-keyed	413	469
<b>Full Inactive Multi-point</b>			
FD2	Inactive - Non-keyed	413	469
<b>Patio Multi-point</b>			
PAT2	Patio - Non-keyed	413	469

**Multi-point, Escutcheons ONLY**

KN12	KN, Cut for Knob Inside	\$170	194
KN1R2	KN, Cut for Knob Inside - Rigid Lever	170	194
KN02	KN, Cut for Knob Outside	170	194
KN0R2	KN, Cut for Knob Outside - Rigid Lever	170	194
KCA2	KC, Cut for Cylinder Outside - Ande C2	210	239
KTA2	KT, Cut for Turnpiece Inside - Ande C2	192	218

**Kensington, Bristol, Richland**

030, 031, 033
034, 038, 040
050, 060, 102
112, 150, 151
190, 260, 264

003, 055
056, 402
412, 452

**WITHOUT LEVERS**

030, 031, 033	003, 055
034, 038, 040	056, 402
050, 060, 102	412, 452
112, 150, 151	412, 452
190, 260, 264	

030, 031, 033	003, 055
034, 038, 040	056, 402
050, 060, 102	412, 452
112, 150, 151	412, 452
190, 260, 264	

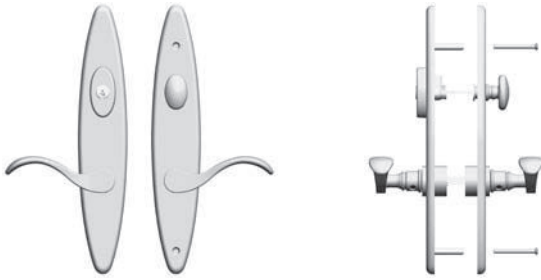
**Entrance American Cylinder Multi-point**

ACT2	Entry - Keyed W/ Turnknob	\$567	646
<b>Passage Multi-point</b>			
FDP2	Passage - Active No Cylinder Or Turnknob	444	505
<b>Half Inactive / Half Passage Multi-point</b>			
AIN2	Inactive Outside And Active Inside - Non-keyed	444	505
<b>Full Inactive Multi-point</b>			
FD2	Inactive - Non-keyed	444	505
<b>Patio Multi-point</b>			
PAT2	Patio - Non-keyed	444	505

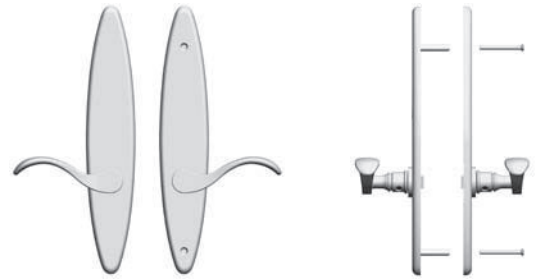
**Multi-point, Escutcheons ONLY**

KN12	KN, Cut for Knob Inside	\$196	223
KN1R2	KN, Cut for Knob Inside - Rigid Lever	196	223
KN02	KN, Cut for Knob Outside	196	223
KN0R2	KN, Cut for Knob Outside - Rigid Lever	196	223
KCA2	KC, Cut for Cylinder Outside - Ande C2	244	277
KTA2	KT, Cut for Turnpiece Inside - Ande C2	221	251

**ACT2 – Entrance American Cylinder**



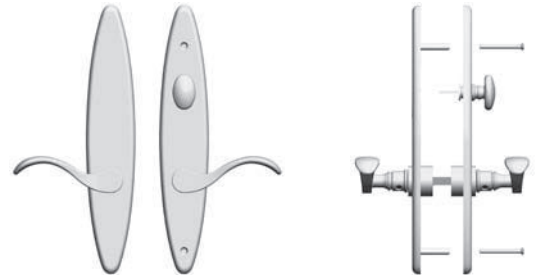
**FD2 – Full Inactive**



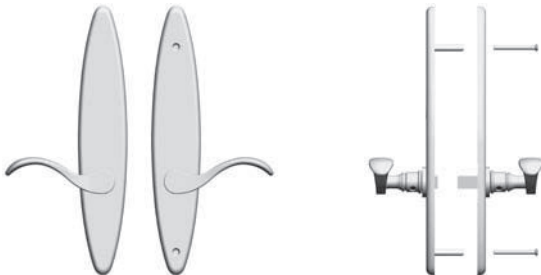
**FDP2 – Passage**



**PAT2 – Patio**



**AIN2 – Half Inactive/Half Passage**



ACT kits include: 8mm to 7.3mm Conversion Spindle, Keyed Cylinder, and Cylinder Installation Hardware  
 PAT kits include: 8mm to 7.3mm Conversion Spindle  
 AIN kits include: Half spindle, and Spindle Installation Hardware  
 FDPTP kits include: 8mm to 7.3mm Conversion Spindle

**Thick Door Kits**

Specify cylinder finish where noted.  
 \*ACT2 - Finish matches trim exactly (any of the 21 Baldwin finishes)

ACT2*	1 3/4"		List Price
	MP000.xxx.ACTR*		\$106
AIN Sets	1.75"		
	MP000.000.AINS		\$21
AIN Sets	2" to 2 1/4"	2 3/8" to 3"	
	MP000.000.AINS	MP000.000.AINT	\$21
FD Sets	1 3/4" to 2 1/4"	2 3/8" to 2 3/4"	
	MP000.000.FDPTP	MP000.000.FDPTQ	\$21
FDP Sets	1 3/4" to 2 1/4"	2 3/8" to 2 3/4"	
	MP000.000.FDPTP	MP000.000.FDPTQ	\$21

Included w/ standard sets

**105 MM DOUBLE DOOR**

**Boulder, Cody, Concord, Springfield**

030, 031, 033  
 034, 038, 040  
 050, 060, 102  
 112, 150, 151  
 190, 260, 264

003, 055  
 056, 402  
 412, 452

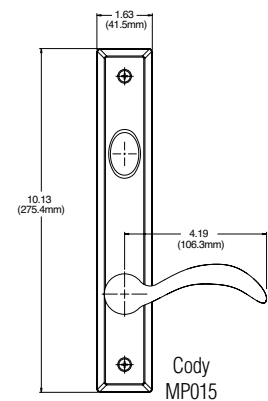
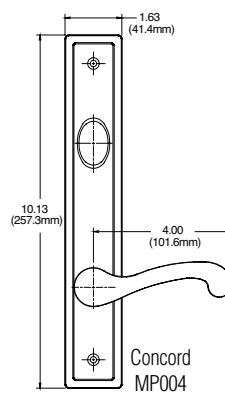
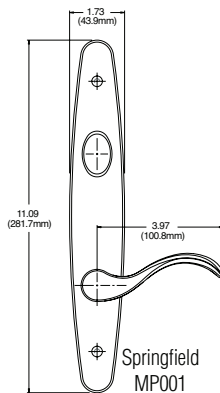
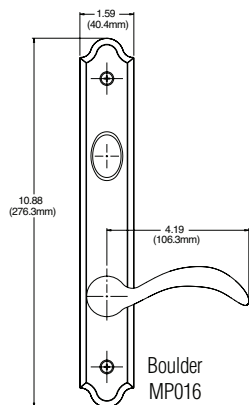
**105 mm Double Door**

FWHAP Active & Inactive Set \$928 1056  
 FWHAX Active & Inactive Set w/o Levers 670 763

**Special Notes**

- Boulder, Cody, Concord, Springfield Double Door Applications Only — Due to the special fit requirements of applying these four 105mm CTC styles in a double door application, the modified dimensions shown below apply to these four styles for double door applications only. Please specify function 'FWHAP' or 'FWHAX' to order. Pricing is as shown.
- Due to the width of the escutcheon plates, Bristol, Richland and Kensington are not recommended on double door applications for 105mm CTC configurations.
- The standard Bismark and Lakeshore plates can be used on double door applications for 105mm CTC configurations.

**105MM DOUBLE DOOR DIMENSIONAL DRAWINGS**



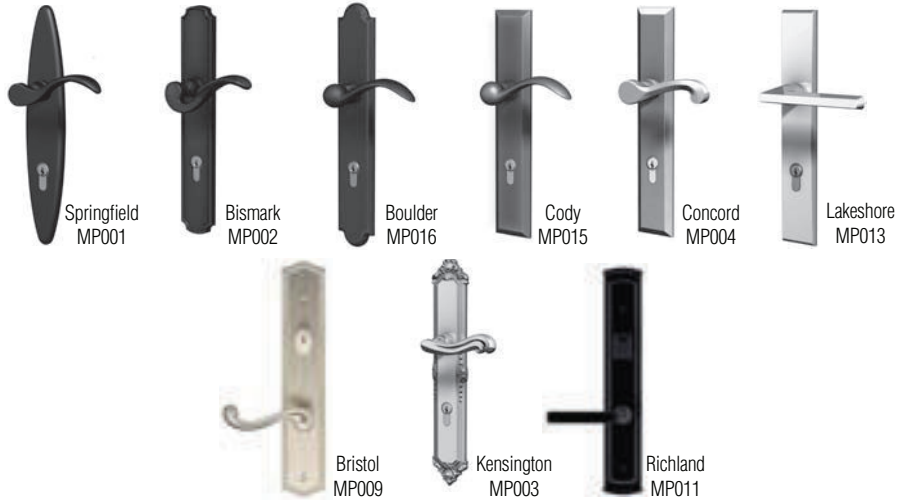
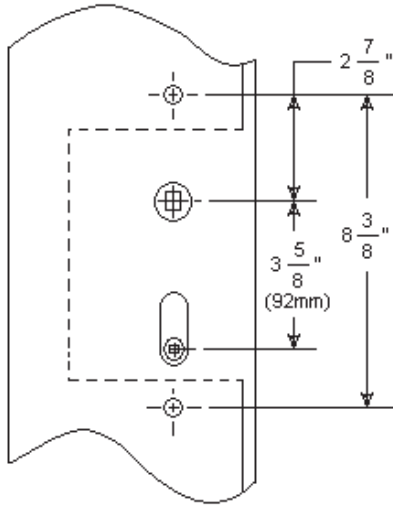
# Choose function

Swinging Patio Door Hardware -  
Set includes Plates, Handles and Cylinders (where applicable)

#3

American Cylinder Below Handle — 3-5/8" (92 mm) center to center  
8-3/8" center to center mounting hole location

Pella®



**Bismark, Boulder, Cody, Concord, Lakeshore, Springfield**

030, 031, 033  
034, 038, 040  
050, 060, 102  
112, 150, 151  
190, 260, 264

003, 055  
056, 402  
412, 452

**WITHOUT LEVERS**

030, 031, 033  
034, 038, 040  
050, 060, 102  
112, 150, 151  
190, 260, 264

030, 031, 033  
034, 038, 040  
050, 060, 102  
112, 150, 151  
190, 260, 264

**Entrance American Cylinder Multi-point**

ACT3 Entry - Keyed W/ Turnknob

\$516 587

387 440

**Passage Multi-point**

FDP3 Passage - Active No Cylinder Or Turnknob

413 469

284 323

**Half Inactive / Half Passage Multi-point**

AIN3 Inactive Outside And Active Inside - Non-keyed

413 469

284 323

**Full Inactive Multi-point**

FD3 Inactive - Non-keyed

413 469

284 323

**Patio Multi-point**

PAT3 Patio - Non-keyed

413 469

284 323

**Multi-point, Escutcheons ONLY**

KNI3	KN, Cut for Knob Inside	\$170	194
KNIR3	KN, Cut for Knob Inside - Rigid Lever	170	194
KN03	KN, Cut for Knob Outside	170	194
KNOR3	KN, Cut for Knob Outside - Rigid Lever	170	194
KC3	KC, Cut for Cylinder Outside - American C3	210	239
KT3	KT, Cut for Turnpiece Inside - American C3	192	218
PKT3	Patio KT, Cut for Turnpiece Inside - C3	192	218

**Kensington, Bristol, Richland**

030, 031, 033  
034, 038, 040  
050, 060, 102  
112, 150, 151  
190, 260, 264

003, 055  
056, 402  
412, 452

**WITHOUT LEVERS**

030, 031, 033  
034, 038, 040  
050, 060, 102  
112, 150, 151  
190, 260, 264

030, 031, 033  
034, 038, 040  
050, 060, 102  
112, 150, 151  
190, 260, 264

**Entrance American Cylinder Multi-point**

ACT3 Entry - Keyed W/ Turnknob

\$567 646

438 499

**Passage Multi-point**

FDP3 Passage - Active No Cylinder Or Turnknob

444 505

314 358

**Half Inactive / Half Passage Multi-point**

AIN3 Inactive Outside And Active Inside - Non-keyed

444 505

314 358

**Full Inactive Multi-point**

FD3 Inactive - Non-keyed

444 505

314 358

**Patio Multi-point**

PAT3 Patio - Non-keyed

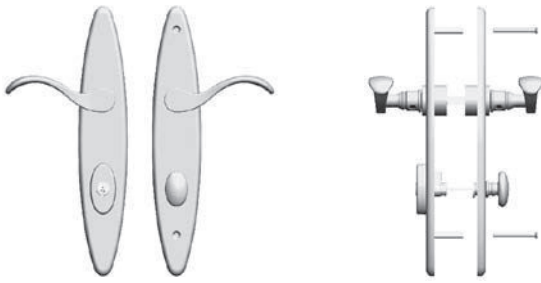
444 505

314 358

**Multi-point, Escutcheons ONLY**

KNI3	KN, Cut for Knob Inside	\$196	223
KNIR3	KN, Cut for Knob Inside - Rigid Lever	196	223
KN03	KN, Cut for Knob Outside	196	223
KNOR3	KN, Cut for Knob Outside - Rigid Lever	196	223
KC3	KC, Cut for Cylinder Outside - American C3	244	277
KT3	KT, Cut for Turnpiece Inside - American C3	221	251
PKT3	Patio KT, Cut for Turnpiece Inside - C3	221	251

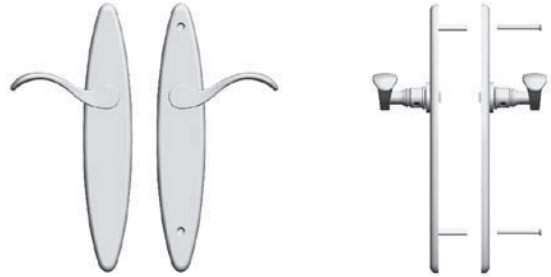
**ACT3 – Entrance American Cylinder**



**FDP3 – Passage**



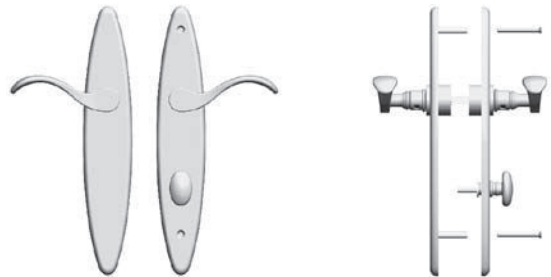
**FD3 – Full Inactive**



**AIN3 – Half Inactive/Half Passage**



**PAT3 – Patio**



**Thick Door Kits**

Config #3 Multi-Point come standard for 1 3/4" to 2 1/4" door thickness. For thicker doors, please order a Thick Door kit according to the chart below. Specify cylinder finish where noted. Available cylinder finishes include 264 (Satin Chrome) and 040 (Satin Brass) ONLY. See finish chart on page 176 for cylinder finish recommendations.

<b>ACT3</b>	<b>1 3/4" to 2 1/4"</b>	<b>2 3/8" to 2 1/2"</b>	<b>2 3/4"</b>	<b>List Price</b>
	MP000.xxx.ACTA	MP000.xxx.ACTB	MP000.xxx.ACTC	\$50
<b>PAT3</b>	<b>1 3/4" to 2 1/4"</b>	<b>2 3/8" to 2 3/4"</b>		
	MP000.000.FDPTP	MP000.000.FDPTQ		\$21
<b>AIN Sets</b>	<b>1 3/4" to 2 1/4"</b>	<b>2 3/8" to 2 3/4"</b>		
	MP000.000.AINS	MP000.000.AINT		\$21
<b>FD Sets</b>	<b>1 3/4" to 2 1/4"</b>	<b>2 3/8" to 2 3/4"</b>		
	MP000.000.FDPTP	MP000.000.FDPTQ		\$21
<b>FDP Sets</b>	<b>1 3/4" to 2 1/4"</b>	<b>2 3/8" to 2 3/4"</b>		
	MP000.000.FDPTP	MP000.000.FDPTQ		\$21

**Included w/ standard sets**

- ACT kits include: 8mm to 7.3mm Conversion Spindle, Keyed Cylinder, and Cylinder Installation Hardware
- PAT kits include: 8mm to 7.3mm Conversion Spindle
- AIN kits include: Half spindle, and Spindle Installation Hardware
- FDPTP kits include: 8mm to 7.3mm Conversion Spindle

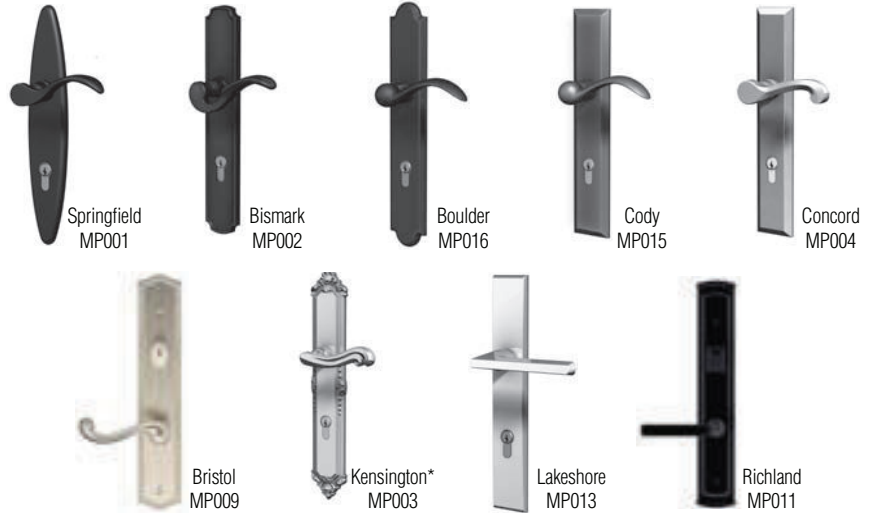
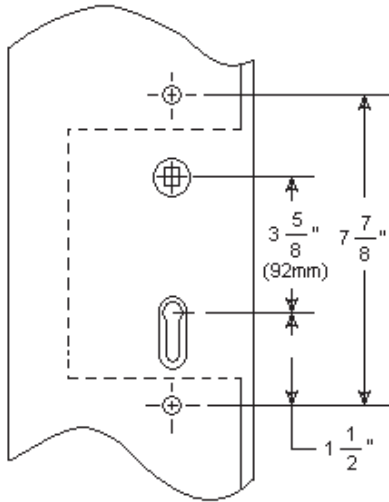
# Choose function

## Swinging Patio Door Hardware - Set includes Plates, Handles and Cylinders (where applicable)

#4

Profile Cylinder Below Handle — 3-5/8" (92 mm) center to center  
7-7/8" center to center mounting hole location

Caradco,<sup>®</sup> G-U,<sup>®</sup> Hoppe,<sup>®</sup> Hurd,<sup>®</sup> Eagle,<sup>®</sup> Kolbe & Kolbe,<sup>®</sup> Loewen,<sup>®</sup> Lincoln,<sup>®</sup> Norco,<sup>®</sup> Peachtree,<sup>®</sup> Pozzi,<sup>®</sup> Sierra Pacific,<sup>®</sup> Semco,<sup>®</sup> Vetter,<sup>®</sup> Weathershield,<sup>®</sup> and others



**Bismark, Boulder, Cody, Concord, Lakeshore, Springfield**

030, 031, 033	003, 055
034, 038, 040	003, 055
050, 060, 102	056, 402
112, 150, 151	412, 452
190, 260, 264	

**WITHOUT LEVERS**

030, 031, 033	003, 055
034, 038, 040	003, 055
050, 060, 102	056, 402
112, 150, 151	412, 452
190, 260, 264	

030, 031, 033	003, 055
034, 038, 040	003, 055
050, 060, 102	056, 402
112, 150, 151	412, 452
190, 260, 264	

**Entrance Profile Cylinder Multi-point**

ACT4 Entry - Keyed W/ Turnknob \$495 564

**Passage Multi-point**

FDP4 Passage - Active No Cylinder Or Turnknob 413 469

**Half Inactive / Half Passage Multi-point**

AIN4 Inactive Outside And Active Inside - Non-keyed 413 469

**Full Inactive Multi-point**

FD4 Inactive - Non-keyed 413 469

**Patio Multi-point**

PAT4 Patio - Non-keyed 413 469

**Multi-point, Escutcheons ONLY**

KNI4 KN, Cut for Knob Inside \$170 194

KNIR4 KN, Cut for Knob Inside - Rigid Lever 170 194

KNO4 KN, Cut for Knob Outside 170 194

KNOR4 KN, Cut for Knob Outside - Rigid Lever 170 194

KC4 KC, Cut for Cylinder Outside - Pro C4 192 218

KCT4 KC, Cut for Cylinder Inside - Pro C4 192 218

**Kensington, Bristol, Richland**

030, 031, 033	003, 055
034, 038, 040	003, 055
050, 060, 102	056, 402
112, 150, 151	412, 452
190, 260, 264	

**WITHOUT LEVERS**

030, 031, 033	003, 055
034, 038, 040	003, 055
050, 060, 102	056, 402
112, 150, 151	412, 452
190, 260, 264	

030, 031, 033	003, 055
034, 038, 040	003, 055
050, 060, 102	056, 402
112, 150, 151	412, 452
190, 260, 264	

**Entrance Profile Cylinder Multi-point**

ACT4 Entry - Keyed W/ Turnknob \$547 622

**Passage Multi-point**

FDP4 Passage - Active No Cylinder Or Turnknob 444 505

**Half Inactive / Half Passage Multi-point**

AIN4 Inactive Outside And Active Inside - Non-keyed 444 505

**Full Inactive Multi-point**

FD4 Inactive - Non-keyed 444 505

**Patio Multi-point**

PAT4 Patio - Non-keyed 444 505

**Multi-point, Escutcheons ONLY**

KNI4 KN, Cut for Knob Inside \$196 223

KNIR4 KN, Cut for Knob Inside - Rigid Lever 196 223

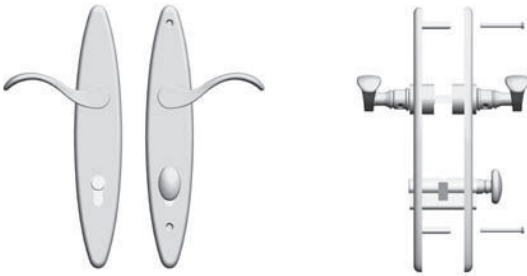
KNO4 KN, Cut for Knob Outside 196 223

KNOR4 KN, Cut for Knob Outside - Rigid Lever 196 223

KC4 KC, Cut for Cylinder Outside - Pro C4 221 251

KCT4 KC, Cut for Cylinder Inside - Pro C4 221 251

**ACT4 – Entrance Profile Cylinder**



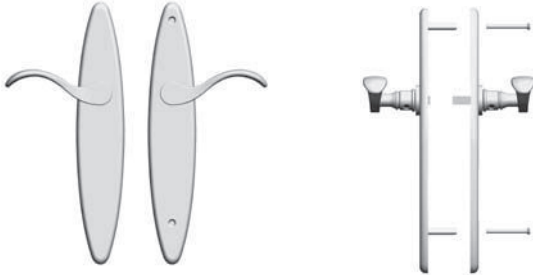
**FDP4 – Passage**



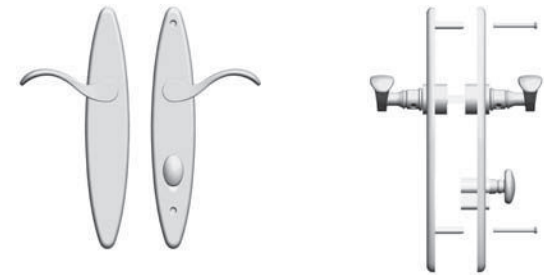
**FD4 – Full Inactive**



**AIN4 – Half Inactive/Half Passage**



**PAT4 – Patio**



**Thick Door Kits**

Config #4 Multi-Point Active and Patio trims assume 1.75" door thickness. For thicker doors, please order a Thick Door kit according to the chart below. Specify cylinder finish where noted. Available cylinder finishes include ONLY 264 (Satin Chrome), 040 (Satin Brass) and 112 (Venetian Bronze). See finish chart on page 176 for cylinder finish recommendations.

ACT kits include: 8mm to 7.3mm Conversion Spindle, Keyed Cylinder, and Cylinder Installation Hardware  
 PAT kits include: 8mm to 7.3mm Conversion Spindle  
 AIN kits include: Half spindle, and Spindle Installation Hardware  
 FDPTP kits include: 8mm to 7.3mm Conversion Spindle

ACT4	1 3/4"	2"	2 1/4"	2 3/8"	2 1/2"	2 3/4"	List Price
All others	MP000.xxx.ACTD	MP000.xxx.ACTD	MP000.xxx.ACTE	MP000.xxx.ACTF	MP000.xxx.ACTG	MP000.xxx.ACTG	\$106
Bismark, Kensington, Lakeshore	MP000.xxx.ACTD	MP000.xxx.ACTE	MP000.xxx.ACTE	MP000.xxx.ACTF	MP000.xxx.ACTG	MP000.xxx.ACTI	\$106
PAT4	1 3/4"	2"	2 1/4"	2 3/8"	2 1/2"	2 3/4"	
All others	MP000.xxx.PATJ	MP000.xxx.PATJ	MP000.xxx.PATK	MP000.xxx.PATL	MP000.xxx.PATM	MP000.xxx.PATM	\$106
Bismark, Kensington, Lakeshore	MP000.xxx.PATJ	MP000.xxx.PATK	MP000.xxx.PATK	MP000.xxx.PATL	MP000.xxx.PATM	MP000.xxx.PATO	\$106
AIN Sets	1 3/4" to 2 1/4"			2 3/8" to 2 3/4"			
	MP000.000.AINS			MP000.000.AINT			\$21
FD Sets	1 3/4" to 2 1/4"			2 3/8" to 2 3/4"			
	MP000.000.FDPTP			MP000.000.FDPTQ			\$21
FDP Sets	1 3/4" to 2 1/4"			2 3/8" to 2 3/4"			
	MP000.000.FDPTP			MP000.000.FDPTQ			\$21

Included w/ standard sets

# Choose function

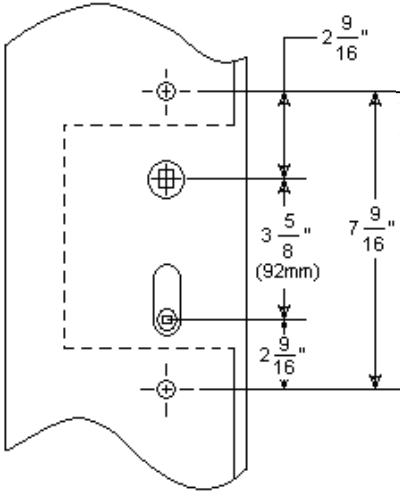
Swinging Patio Door Hardware -  
Set includes Plates, Handles and Cylinders (where applicable)

#5

American Cylinder Above or Below Handle — 3-5/8" (92 mm) center to center  
7-9/16" center to center mounting hole location

G-U,<sup>®</sup> Eagle,<sup>®</sup> BiltBest,<sup>®</sup> Marvin Integrity,<sup>®</sup> Pella<sup>®</sup>  
Sierra Pacific,<sup>®</sup> Superior,<sup>®</sup> Willmar<sup>®</sup>

NOTE: #5 cylinder to spindle orientation is reversible, works for both above and below handle mounting.



**Bismark, Boulder, Cody, Concord, Lakeshore, Springfield**

030, 031, 033  
034, 038, 040  
050, 060, 102  
112, 150, 151  
190, 260, 264

003, 055  
056, 402  
412, 452

**WITHOUT LEVERS**

030, 031, 033  
034, 038, 040  
050, 060, 102  
112, 150, 151  
190, 260, 264

030, 031, 033  
034, 038, 040  
050, 060, 102  
112, 150, 151  
190, 260, 264

003, 055  
056, 402  
412, 452

**Entrance American Cylinder Multi-point**

ACT5 Entry - Keyed W/ Turnknob

\$516

587

387

440

**Passage Multi-point**

FDP5 Passage - Active No Cylinder Or Turnknob

413

469

284

323

**Half Inactive / Half Passage Multi-point**

AIN5 Inactive Outside And Active Inside - Non-keyed

413

469

284

323

**Full Inactive Multi-point**

FD5 Inactive - Non-keyed

413

469

284

323

**Patio Multi-point**

PAT5 Patio - Non-keyed

413

469

284

323

**Multi-point, Escutcheons ONLY**

KNI5	KN, Cut for Knob Inside	\$170	194
KNIR5	KN, Cut for Knob Inside - Rigid Lever	170	194
KN05	KN, Cut for Knob Outside	170	194
KNOR5	KN, Cut for Knob Outside - Rigid Lever	170	194
KC5	KC, Cut for Cylinder Outside - American C5	210	239
KT5	KT, Cut for Turnpiece Inside - American C5	192	218
PKT5	Patio KT, Cut for Turnpiece Inside - C5	192	218

**Kensington, Bristol, Richland**

030, 031, 033  
034, 038, 040  
050, 060, 102  
112, 150, 151  
190, 260, 264

003, 055  
056, 402  
412, 452

**WITHOUT LEVERS**

030, 031, 033  
034, 038, 040  
050, 060, 102  
112, 150, 151  
190, 260, 264

030, 031, 033  
034, 038, 040  
050, 060, 102  
112, 150, 151  
190, 260, 264

003, 055  
056, 402  
412, 452

**Entrance American Cylinder Multi-point**

ACT5 Entry - Keyed W/ Turnknob

\$567

646

438

499

**Passage Multi-point**

FDP5 Passage - Active No Cylinder Or Turnknob

444

505

314

358

**Half Inactive / Half Passage Multi-point**

AIN5 Inactive Outside And Active Inside - Non-keyed

444

505

314

358

**Full Inactive Multi-point**

FD5 Inactive - Non-keyed

444

505

314

358

**Patio Multi-point**

PAT5 Patio - Non-keyed

444

505

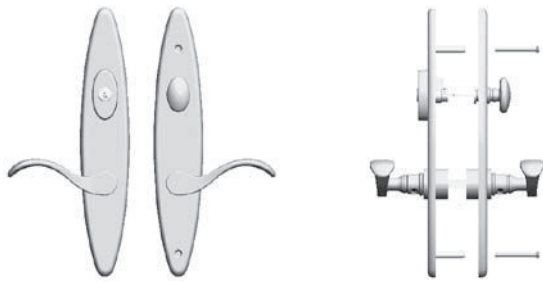
314

358

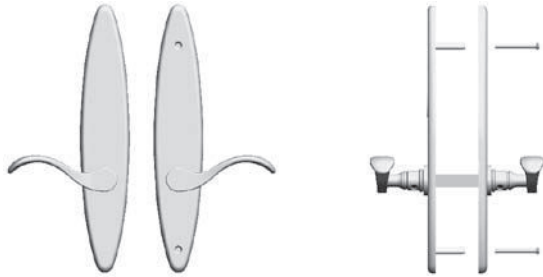
**Multi-point, Escutcheons ONLY**

KNI5	KN, Cut for Knob Inside	\$196	223
KNIR5	KN, Cut for Knob Inside - Rigid Lever	196	223
KN05	KN, Cut for Knob Outside	196	223
KNOR5	KN, Cut for Knob Outside - Rigid Lever	196	223
KC5	KC, Cut for Cylinder Outside - American C5	244	277
KT5	KT, Cut for Turnpiece Inside - American C5	221	251
PKT5	Patio KT, Cut for Turnpiece Inside - C5	221	251

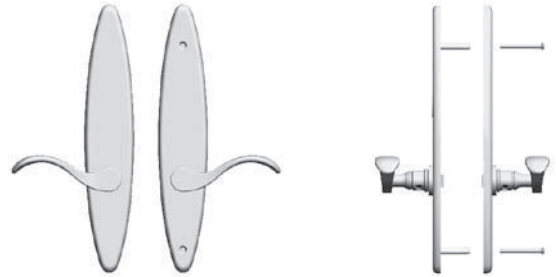
**ACT5 – Entrance American Cylinder**



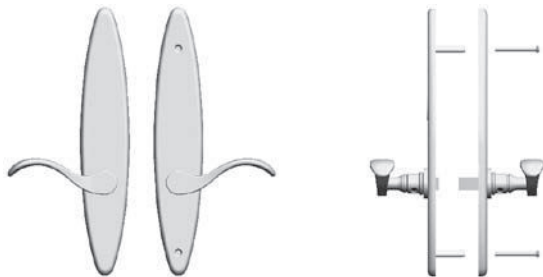
**FDP5 – Passage**



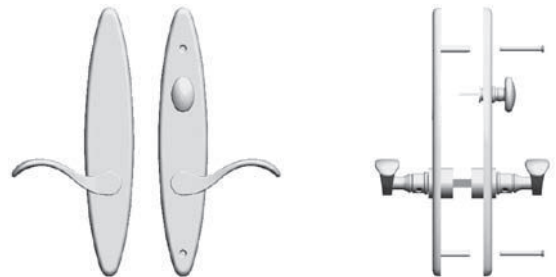
**FD5 – Full Inactive**



**AIN5 – Half Inactive/Half Passage**



**PAT5 – Patio**



**Thick Door Kits**

Config #5 Multi-Point trims come standard for 1 3/4" to 2 1/4" door thickness. For thicker doors, please order a Thick Door kit according to the chart below. Specify cylinder finish where noted. Available cylinder finishes include 264 (Satin Chrome) and 040 (Satin Brass) ONLY. See finish chart on page 176 for cylinder finish recommendations.

ACT5	1 3/4" to 2 1/4"	2 3/8" to 2 1/2"	2 3/4"	List Price
	MP000.xxx.ACTA	MP000.xxx.ACTB	MP000.xxx.ACTC	\$50
PAT5	1 3/4" to 2 1/4"	2 3/8" to 2 3/4"		
	MP000.000.FDPTP	MP000.000.FDPTQ		\$21
AIN Sets	1 3/4" to 2 1/4"	2 3/8" to 2 3/4"		
	MP000.000.AINS	MP000.000.AINT		\$21
FD Sets	1 3/4" to 2 1/4"	2 3/8" to 2 3/4"		
	MP000.000.FDPTP	MP000.000.FDPTQ		\$21
FDP Sets	1 3/4" to 2 1/4"	2 3/8" to 2 3/4"		
	MP000.000.FDPTP	MP000.000.FDPTQ		\$21

**Included w/ standard sets**

- ACT kits include: 8mm to 7.3mm Conversion Spindle, Keyed Cylinder, and Cylinder Installation Hardware
- PAT kits include: 8mm to 7.3mm Conversion Spindle
- AIN kits include: Half spindle, and Spindle Installation Hardware
- FDPTP kits include: 8mm to 7.3mm Conversion Spindle

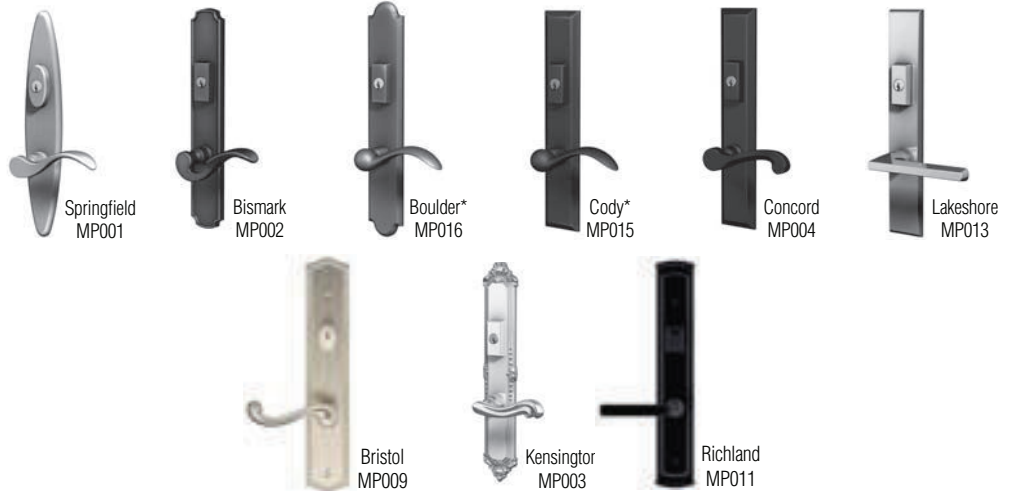
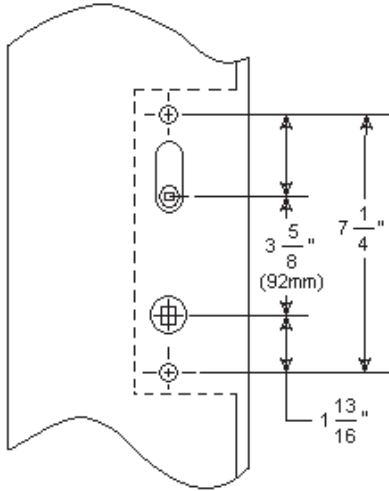
# Choose function

Swinging Patio Door Hardware -  
Set includes Plates, Handles and Cylinders (where applicable)

#6

American Cylinder Above Handle — 3-5/8" (92 mm) center to center  
7-1/4" center to center mounting hole location

Ashland,<sup>®</sup> Caradco,<sup>®</sup> Milgard,<sup>®</sup> Marvin,<sup>®</sup> Peachtree,<sup>®</sup> Weathershield<sup>®</sup>



**Bismark, Boulder, Cody, Concord, Lakeshore, Springfield**

030, 031, 033  
034, 038, 040  
050, 060, 102  
112, 150, 151  
190, 260, 264

003, 055  
056, 402  
412, 452

**WITHOUT LEVERS**

030, 031, 033  
034, 038, 040  
050, 060, 102  
112, 150, 151  
190, 260, 264

030, 031, 033  
034, 038, 040  
050, 060, 102  
112, 150, 151  
190, 260, 264

003, 055  
056, 402  
412, 452

**Entrance American Cylinder Multi-point**

ACT6 Entry - Keyed W/ Turnknob \$516 587

**Passage Multi-point**

FDP6 Passage - Active No Cylinder Or Turnknob 413 469

**Half Inactive / Half Passage Multi-point**

AIN6 Inactive Outside And Active Inside - Non-keyed 413 469

**Full Inactive Multi-point**

FD6 Inactive - Non-keyed 413 469

**Patio Multi-point**

PAT6 Patio - Non-keyed 413 469

**Multi-point, Escutcheons ONLY**

KN16	KN, Cut for Knob Inside	\$170	194
KN1R6	KN, Cut for Knob Inside - Rigid Lever	170	194
KN06	KN, Cut for Knob Outside	170	194
KN0R6	KN, Cut for Knob Outside - Rigid Lever	170	194
KC6	KC, Cut for Cylinder Outside - American C6	210	239
KT6	KT, Cut for Turnpiece Inside - American C6	192	218
PKT6	Patio KT, Cut for Turnpiece Inside - C6	192	218

**Kensington, Bristol, Richland**

030, 031, 033  
034, 038, 040  
050, 060, 102  
112, 150, 151  
190, 260, 264

003, 055  
056, 402  
412, 452

**WITHOUT LEVERS**

030, 031, 033  
034, 038, 040  
050, 060, 102  
112, 150, 151  
190, 260, 264

030, 031, 033  
034, 038, 040  
050, 060, 102  
112, 150, 151  
190, 260, 264

003, 055  
056, 402  
412, 452

**Entrance American Cylinder Multi-point**

ACT6 Entry - Keyed W/ Turnknob \$567 646

**Passage Multi-point**

FDP6 Passage - Active No Cylinder Or Turnknob 444 505

**Half Inactive / Half Passage Multi-point**

AIN6 Inactive Outside And Active Inside - Non-keyed 444 505

**Full Inactive Multi-point**

FD6 Inactive - Non-keyed 444 505

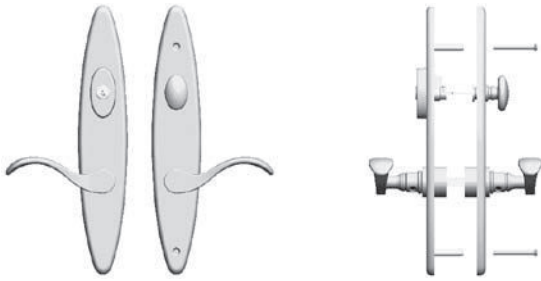
**Patio Multi-point**

PAT6 Patio - Non-keyed 444 505

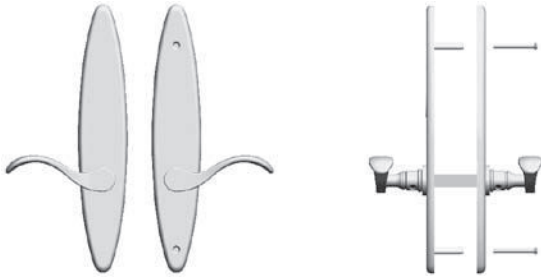
**Multi-point, Escutcheons ONLY**

KN16	KN, Cut for Knob Inside	\$196	223
KN1R6	KN, Cut for Knob Inside - Rigid Lever	196	223
KN06	KN, Cut for Knob Outside	196	223
KN0R6	KN, Cut for Knob Outside - Rigid Lever	196	223
KC6	KC, Cut for Cylinder Outside - American C6	244	277
KT6	KT, Cut for Turnpiece Inside - American C6	221	251
PKT6	Patio KT, Cut for Turnpiece Inside - C6	221	251

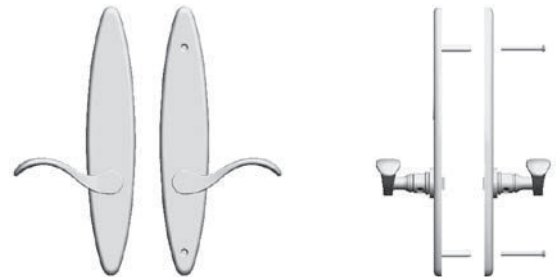
**ACT6 – Entrance American Cylinder**



**FDP6 – Passage**



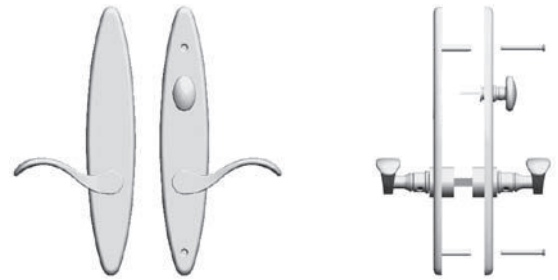
**FD6 – Full Inactive**



**AIN6 – Half Inactive/Half Passage**



**PAT6 – Patio**



**Thick Door Kits**

Config #6 Multi-Point trims come standard for 1 3/4" to 2 1/4" door thickness. For thicker doors, please order a Thick Door kit according to the chart below. Specify cylinder finish where noted.

Available cylinder finishes include 264 (Satin Chrome) and 040 (Satin Brass) ONLY.

See finish chart on page 176 for cylinder finish recommendations.

<b>ACT6</b>	<b>1 3/4" to 2 1/4"</b>	<b>2 3/8" to 2 1/2"</b>	<b>2 3/4"</b>	<b>List Price</b>
	MP000.xxx.ACTA	MP000.xxx.ACTB	MP000.xxx.ACTC	\$50
<b>PAT6</b>	<b>1 3/4" to 2 1/4"</b>	<b>2 3/8" to 2 3/4"</b>		
	MP000.000.FDPTP	MP000.000.FDPTQ		\$21
<b>AIN Sets</b>	<b>1 3/4" to 2 1/4"</b>	<b>2 3/8" to 2 3/4"</b>		
	MP000.000.AINS	MP000.000.AINT		\$21
<b>FD Sets</b>	<b>1 3/4" to 2 1/4"</b>	<b>2 3/8" to 2 3/4"</b>		
	MP000.000.FDPTP	MP000.000.FDPTQ		\$21
<b>FDP Sets</b>	<b>1 3/4" to 2 1/4"</b>	<b>2 3/8" to 2 3/4"</b>		
	MP000.000.FDPTP	MP000.000.FDPTQ		\$21

**Included w/ standard sets**

- ACT kits include: 8mm to 7.3mm Conversion Spindle, Keyed Cylinder, and Cylinder Installation Hardware
- PAT kits include: 8mm to 7.3mm Conversion Spindle
- AIN kits include: Half spindle, and Spindle Installation Hardware
- FDPTP kits include: 8mm to 7.3mm Conversion Spindle